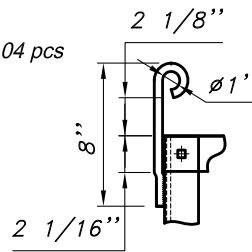
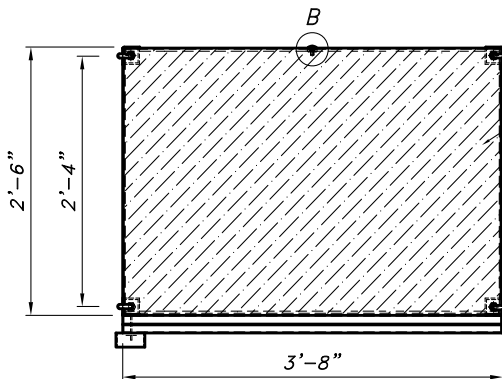
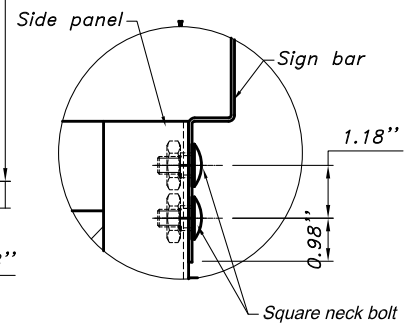
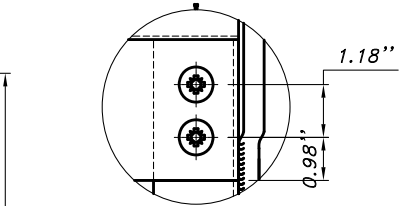
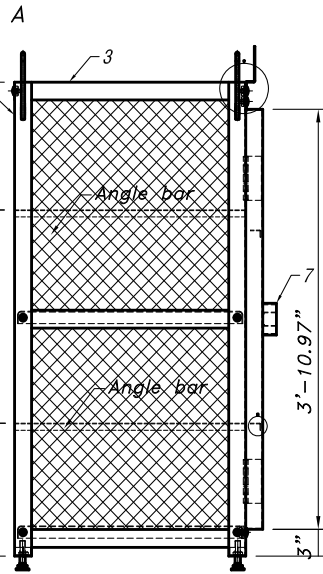
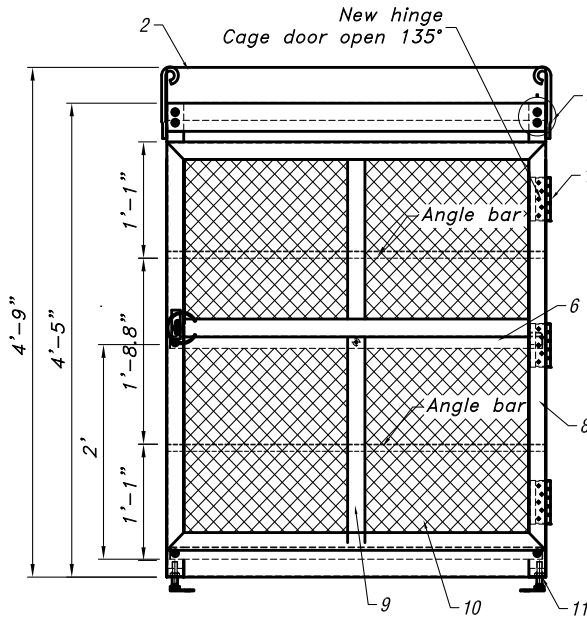
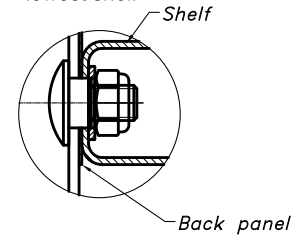


**CEC - 20# - 12 - 2 Shelve**  
**Model: LB12302MS**  
**Capacity: 12**  
**Dimensins: 44w x 30d x 53h**

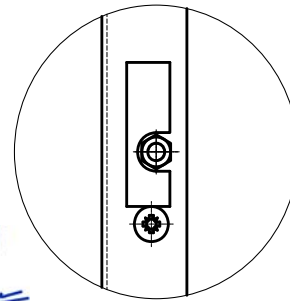
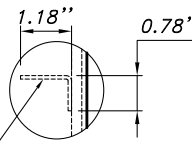
A-A  
 Hook  
 Quantity: 04 pcs



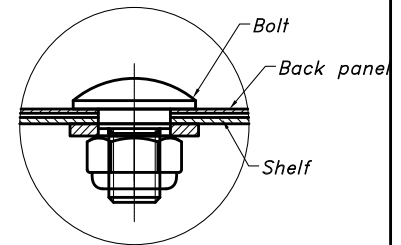
Back panel not extend past lowest shelf



Bracing strut cage  
 L1.18"x0.78"-14Ga

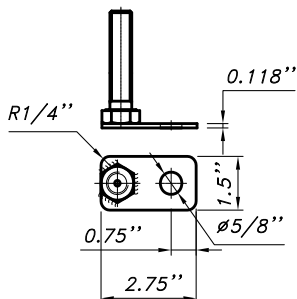


B-B  
 Bolt for center back panel  
 Quantity: 03 pcs



11/08/13

Plate Base Leveller  
 Quantity: 04 pcs



Project Location: Various Locations in San Jose, CA

12	Square neck bolt		19	Steel
11	Leveller		4	Steel
10	Trellis			Steel thickness 13 Ga
9	Backing			Steel sheet thickness 11 Ga
8	Framed stile - angle bar 2"x2"		4	Steel sheet thickness 11 Ga
7	Puck lock		1	Steel sheet thickness 11 Ga
6	Solid shelf 44w x 30 d		2	Steel galvanned sheet thickness 13 Ga
5	Hook		4	Round bar, Ø0.472"
4	Back panel 44w x 51 13/32 h		1	Steel sheet thickness 21 Ga
3	Top panel 44w x 30 d		1	Steel sheet thickness 21 Ga
2	Sign bar 44w		1	Steel sheet thickness 13 Ga
1	Sheet hinge		3	Steel
ITEM	DESCRIPTION	PART No.	QTY	MATERIAL